

Motor Base Plug

The UMS Flowell Motor Base Plug has a 2-3/8" EUE pin up for making up to the motor base or ESP gauge base. The Motor Base Plug provides a dummy neck for attaching the first bypass clamp at the bottom of the ESP, thus securing the bypass tubing at this location. The plug also protects the lowermost ESP component when running downhole.

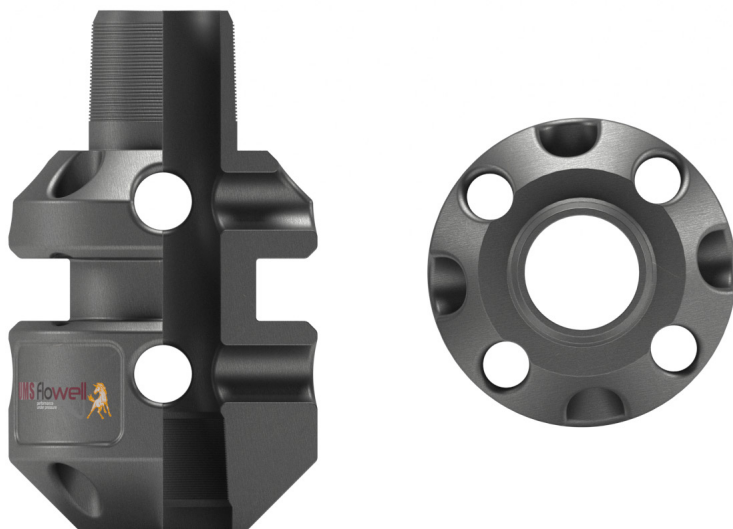
The motor base plug is hollow which makes it more lightweight. This also prevents trapped pressure at the EUE connection. The base of the Motor base plug has a 2-3/8" EUE box for suspending optional accessories below the ESP such as memory gauge carriers or sacrificial anodes.

FEATURES & BENEFITS

- Hollow lightweight design that prevents trapped pressure in the threads
- 2-3/8" API EUE Pin x Box design
- Compact design
- Precision investment casting

SPECIFICATIONS

- Low alloy steel or 13Cr material options
- OD to suit ESP



Technical Specifications - Motor Base Plug

Part Number	Motor	Outside Diameter (in)	Neck Diameter (in)	Pin Thread
MBP-0005	540	5.39	3.25	2-3/8" EUE
MBP-0006	456	4.55	3.00	2-3/8" EUE
MBP-0007	375	3.75	2.44	2-3/8" EUE
MBP-0008	456	4.55	3.00	2-3/8" EUE
MBP-0010	540	5.39	3.25	2-3/8" NUE
MBP-0011	319	3.19	1.95	2-3/8" NUE
MBP-0012	406	4.06	2.52	2-3/8" NUE
MBP-0013	456	4.06	2.52	2-3/8" EUE

